



US00D415545S

# United States Patent [19]

[11] **Patent Number: Des. 415,545**

**Sutton et al.**

[45] **Date of Patent: \*\* Oct. 19, 1999**

[54] **PLAYGROUND DRAGON HEAD**

*Primary Examiner—Mitchell Siegel  
Attorney, Agent, or Firm—Welsh & Katz, Ltd.*

[75] Inventors: **Wesley D. Sutton; Brian Henry;  
Michael Yates**, all of Fort Payne, Ala.

[57] **CLAIM**

[73] Assignee: **Playcore, Inc.**, Fort Payne, Ala.

The ornamental design for a playground dragon head, as shown and described.

[\*\*] Term: **14 Years**

**DESCRIPTION**

[21] Appl. No.: **29/095,693**

[22] Filed: **Oct. 28, 1998**

[51] **LOC (6) Cl.** ..... **21-03**

[52] **U.S. Cl.** ..... **D21/820**

[58] **Field of Search** ..... D21/811, 814,  
D21/818-827; 482/35, 36

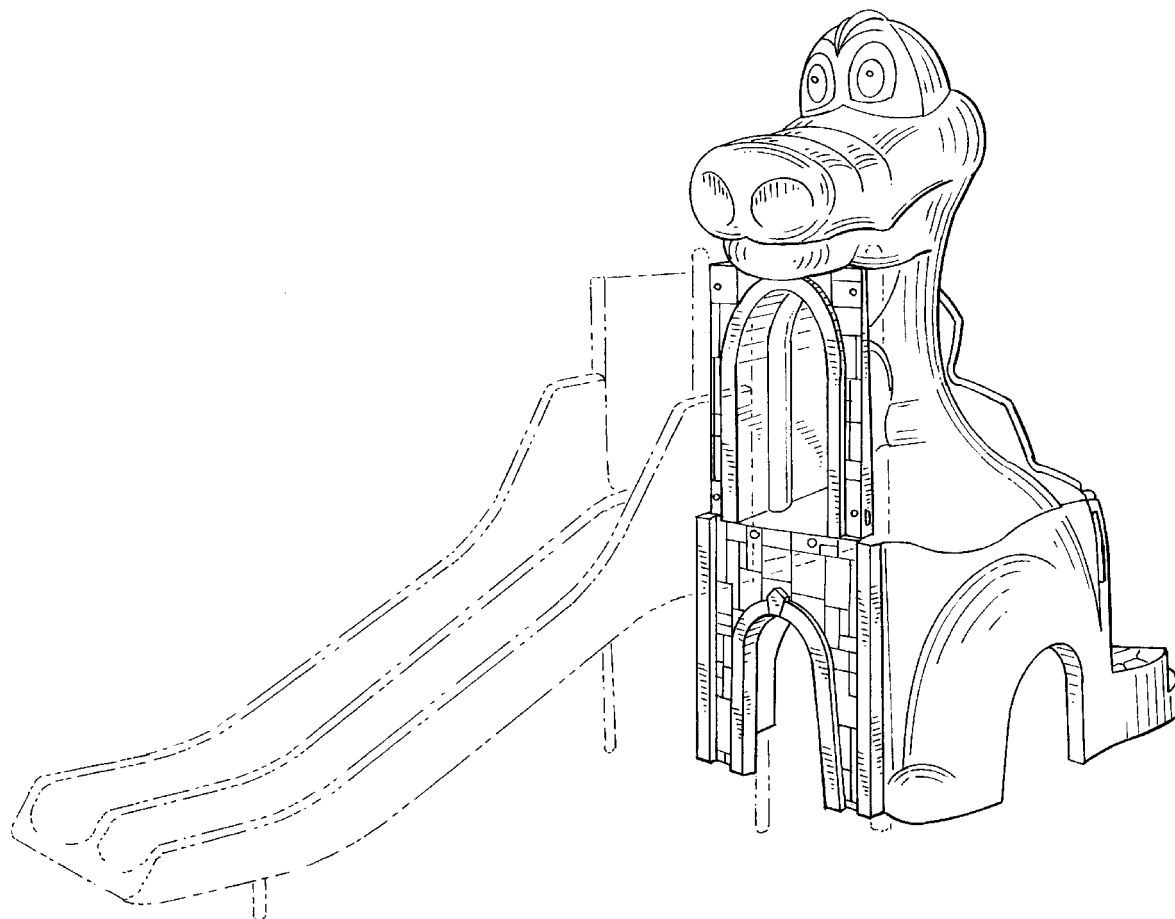
FIG. 1 is a perspective view of the playground dragon head design; the broken line showing the slide is for illustrative purposes only and forms no part of the claimed design; FIG. 2 is a front plan view of the playground dragon head design of the subject invention of FIG. 1; FIG. 3 is a left side view of the playground dragon head design of FIG. 1, the opposite side being a mirror image thereof; FIG. 4 is a rear plan view of the playground dragon head design of FIG. 1; FIG. 5 is a top plan view of the playground dragon head design of FIG. 1; and, FIG. 6 is a bottom plan view of the playground dragon head design of FIG. 1.

[56] **References Cited**

**U.S. PATENT DOCUMENTS**

D. 213,275	1/1969	Wormser	.....	D21/827
D. 357,300	4/1995	Maynard	.....	D21/820
D. 378,395	3/1997	Olson	.....	D21/820
4,378,216	3/1983	Phillips	.....	482/35

**1 Claim, 4 Drawing Sheets**



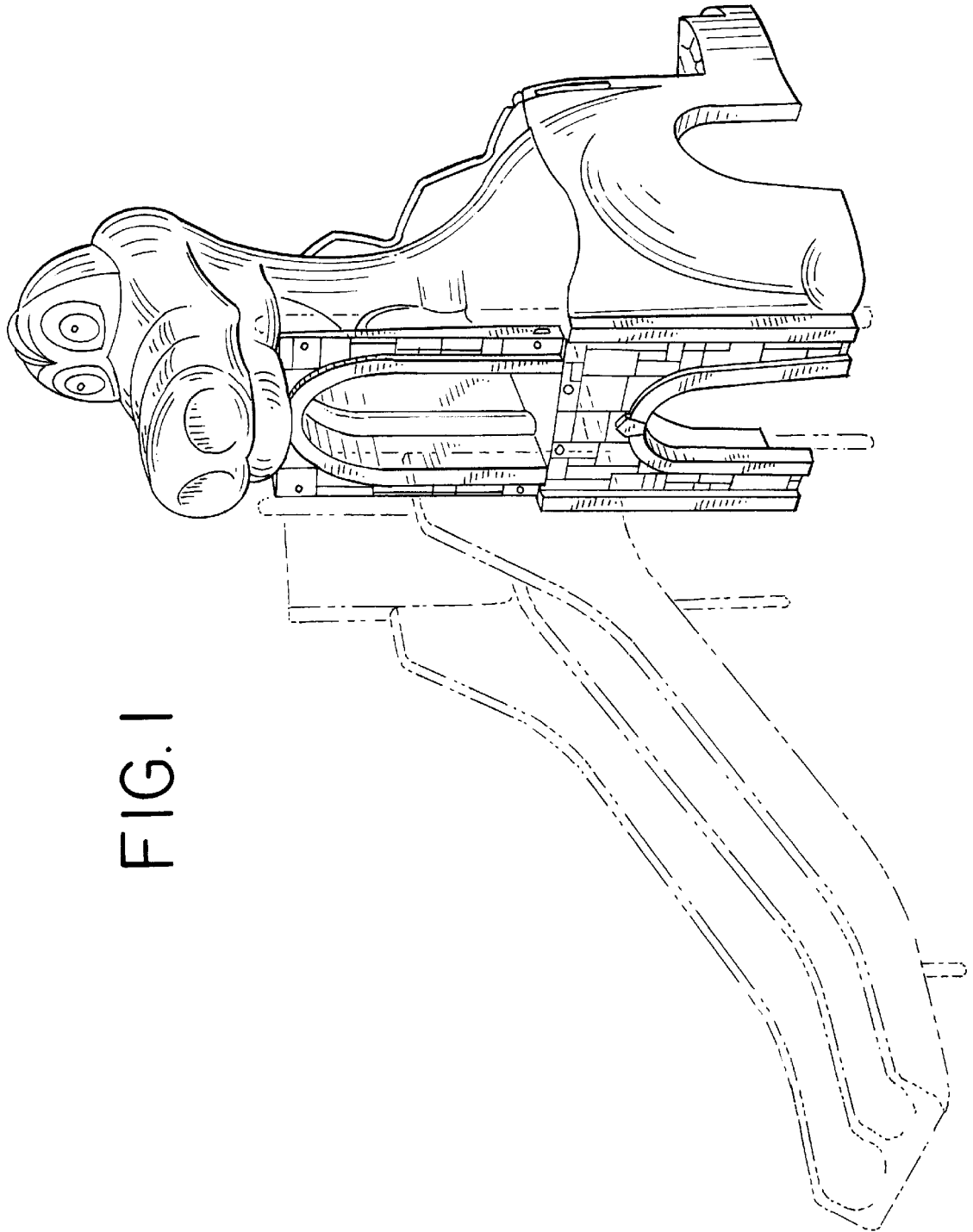


FIG. 1

FIG. 3

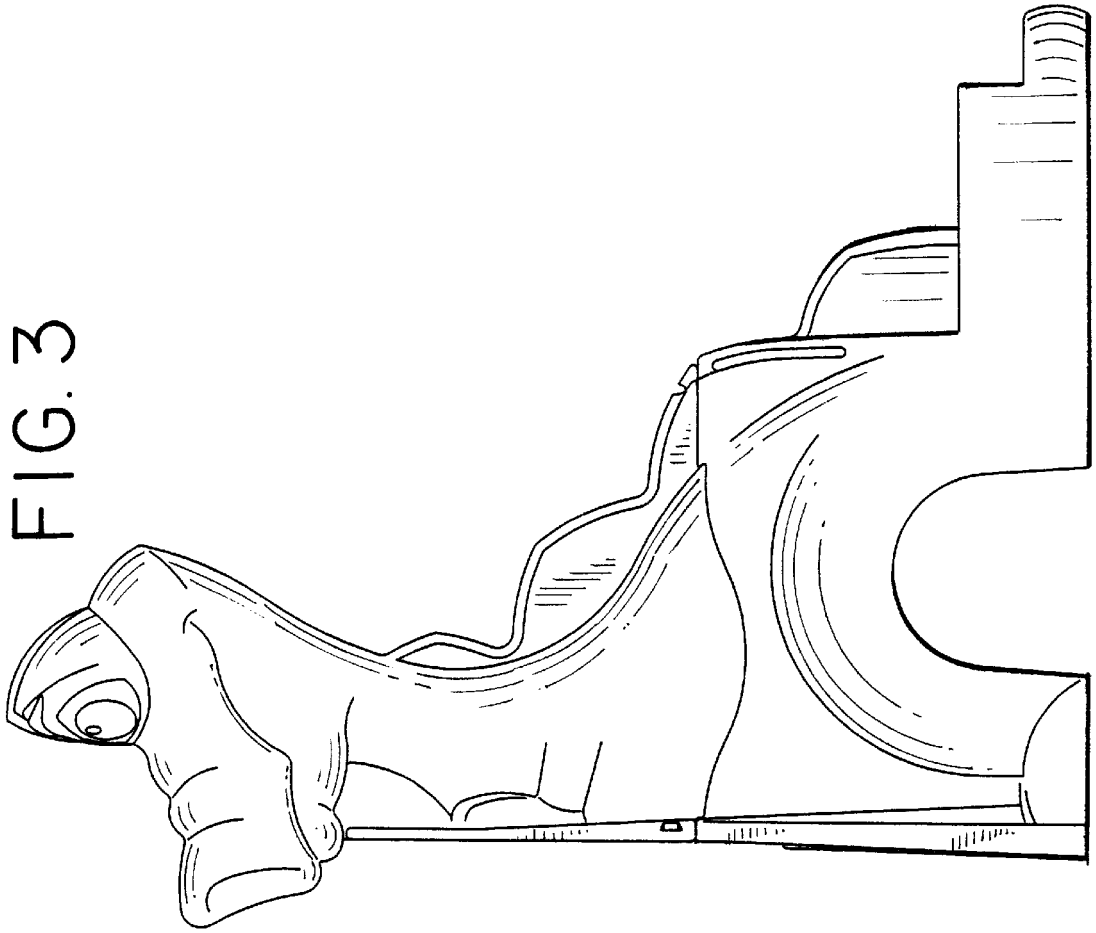
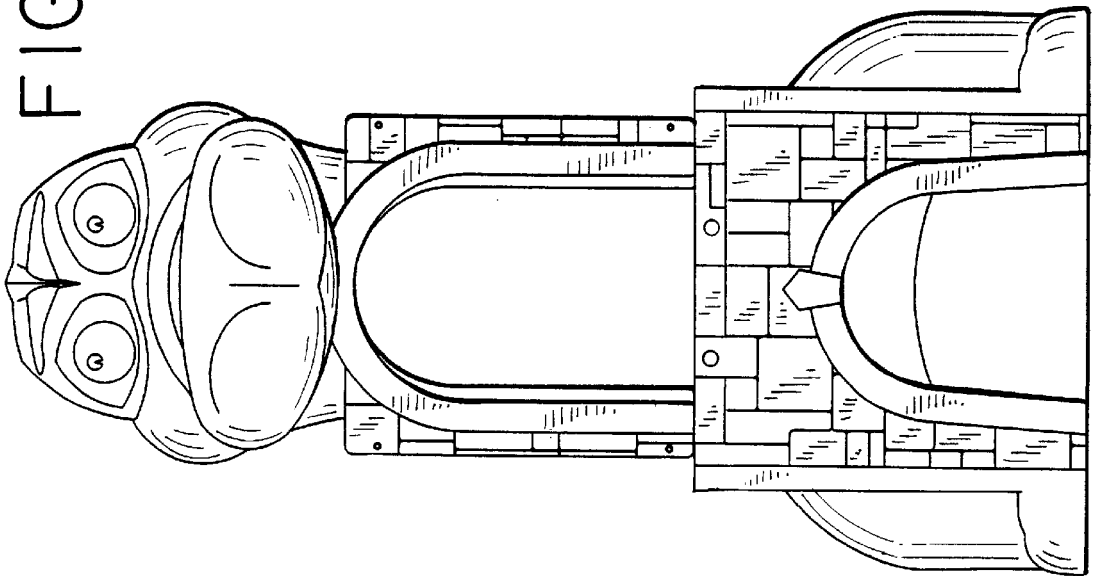


FIG. 2



# FIG. 4

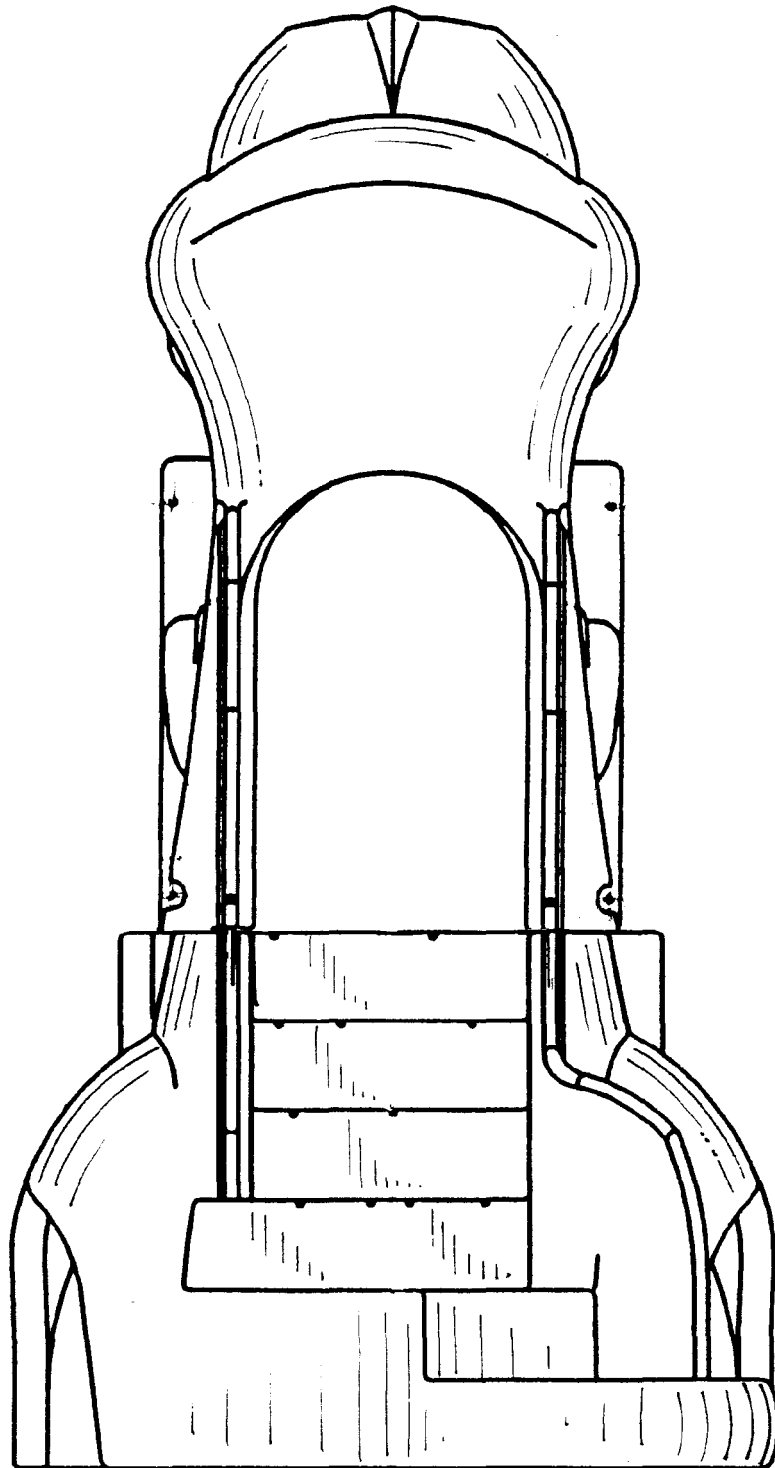


FIG. 5

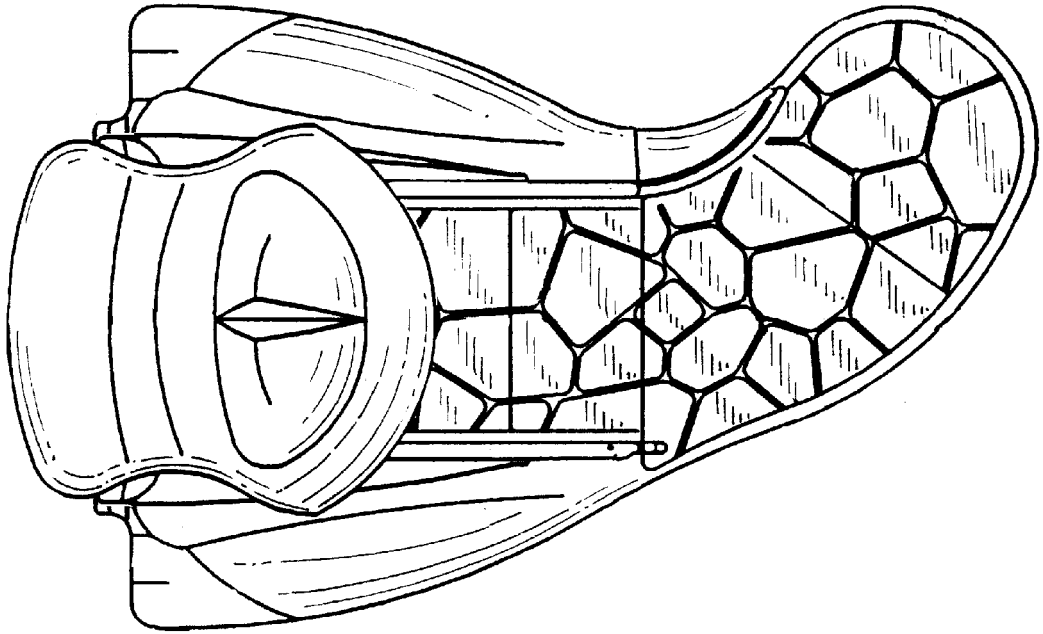


FIG. 6

