



US00D427271S

United States Patent [19]

[11] **Patent Number: Des. 427,271**

Sutton et al.

[45] **Date of Patent: ** Jun. 27, 2000**

[54] **PLAYGROUND STAIRS**

D. 378,395 3/1997 Olson D21/820

[75] Inventors: **Wesley D. Sutton; Michael Yates**, both of Fort Payne; **Brandon McBride**, Langton, all of Ala.

Primary Examiner—Mitchell Siegel
Attorney, Agent, or Firm—Welsh & Katz, Ltd.

[73] Assignee: **Playcore, Inc.**, Janesville, Wis.

[57] **CLAIM**

[**] Term: **14 Years**

The ornamental design for a playground stairs, as shown and described.

[21] Appl. No.: **29/113,544**

DESCRIPTION

[22] Filed: **Nov. 5, 1999**

FIG. 1 is a perspective view of the playground stairs design; FIG. 2 is a left side view of the playground stairs design of the subject invention of FIG. 1, the opposite side being a mirror image thereof; FIG. 3 is a front plan view of the playground stairs design of FIG. 1; FIG. 4 is a rear view of the playground stairs design of FIG. 1; FIG. 5 is a top view of the playground stairs design of FIG. 1; and, FIG. 6 is a bottom view of the playground stairs design of FIG. 1.

[51] **LOC (7) Cl.** **21-03**

[52] **U.S. Cl.** **D21/814; D21/826**

[58] **Field of Search** D21/818, 820, D21/826, 827, 814; 472/116, 117, 130; 482/35, 36

[56] **References Cited**

U.S. PATENT DOCUMENTS

D. 321,922 11/1991 Basore D21/820

D. 358,442 5/1995 Houry et al. D21/826

1 Claim, 3 Drawing Sheets

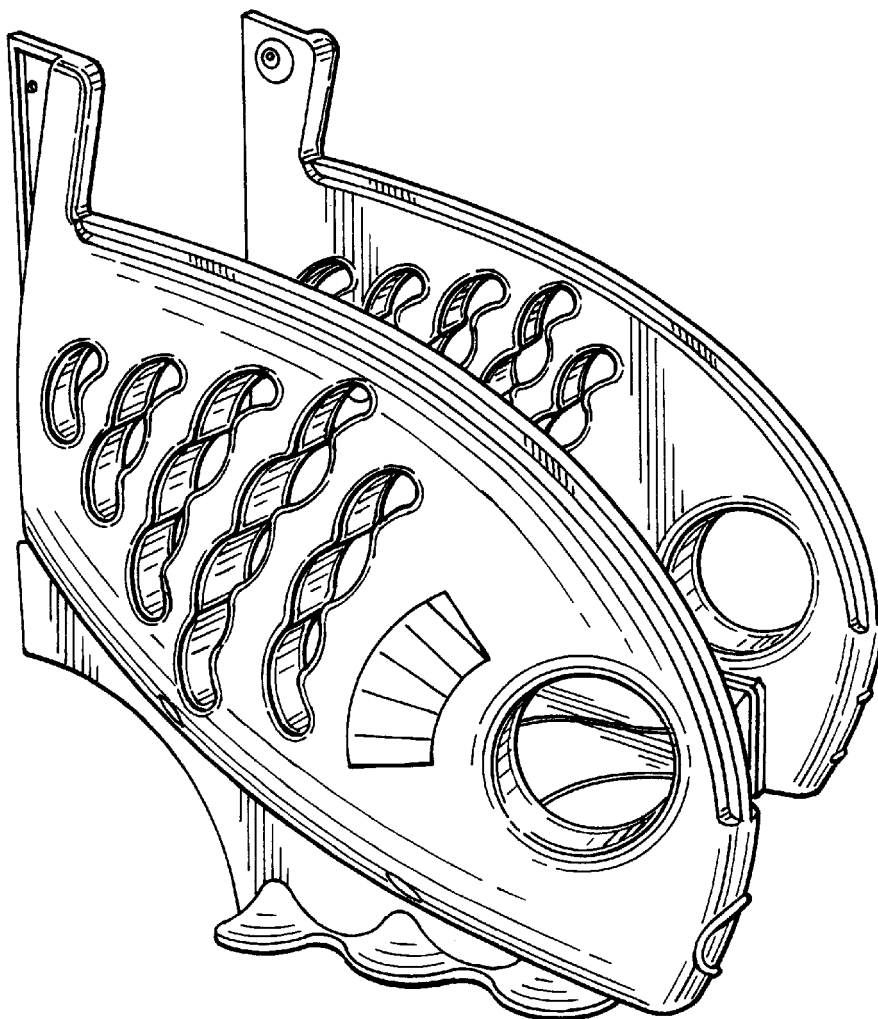


FIG. 1

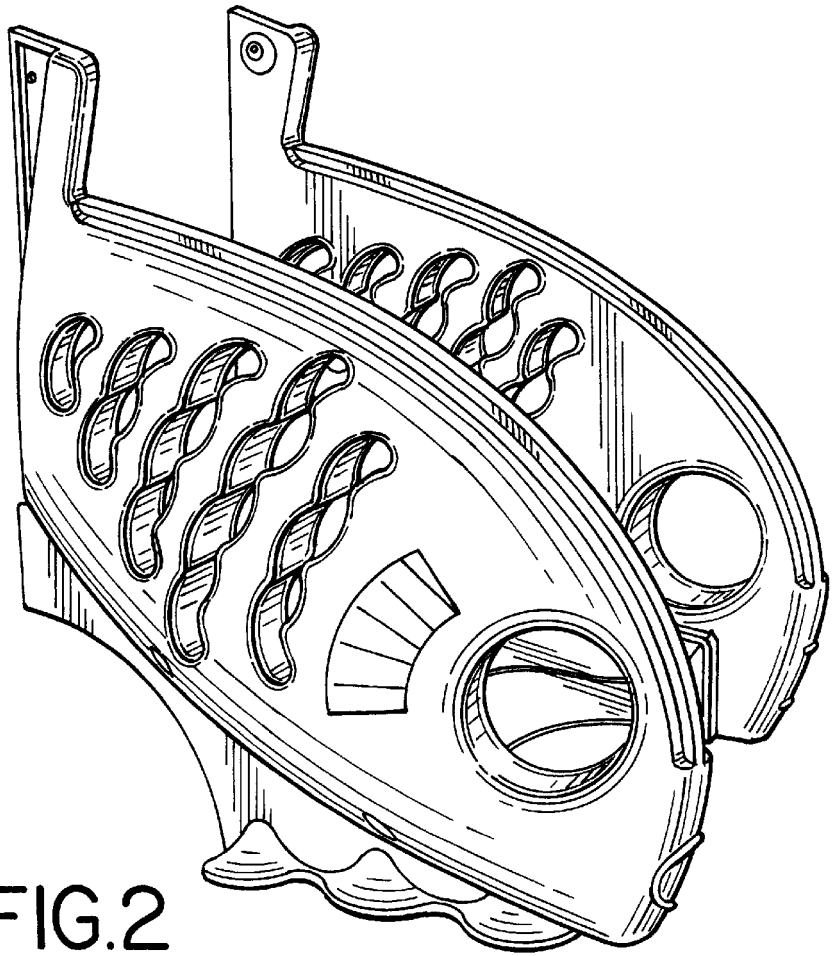


FIG. 2

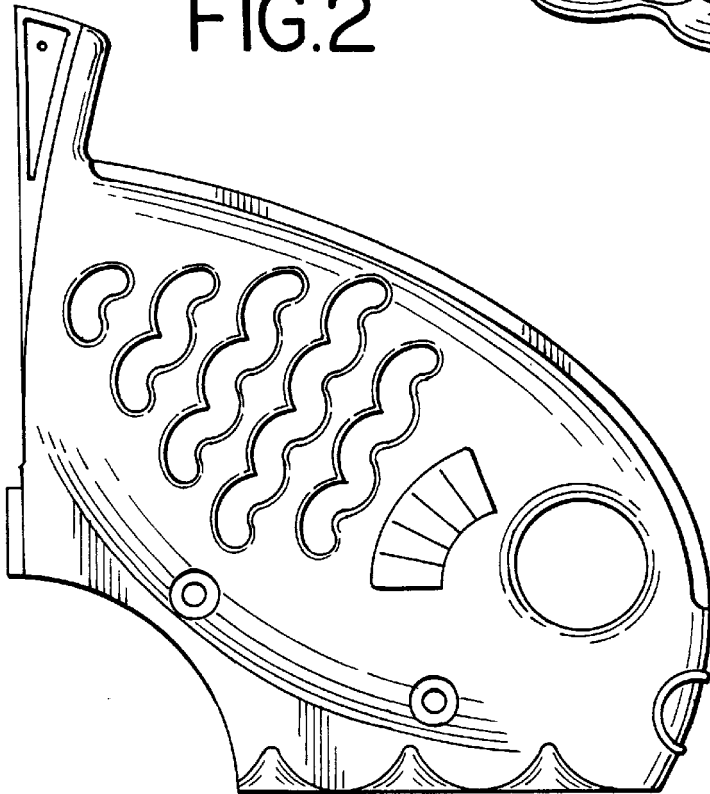


FIG.3

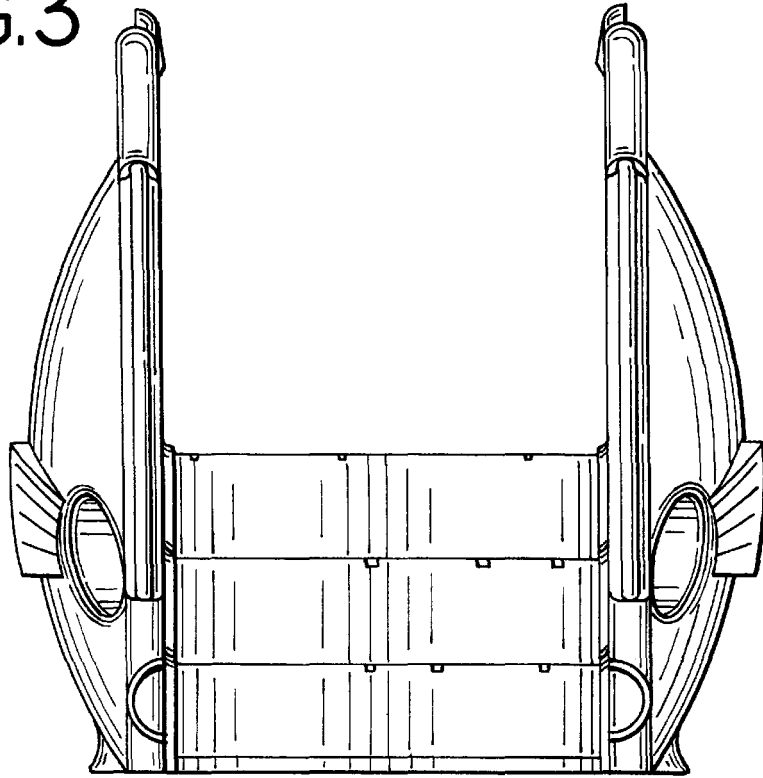


FIG.4

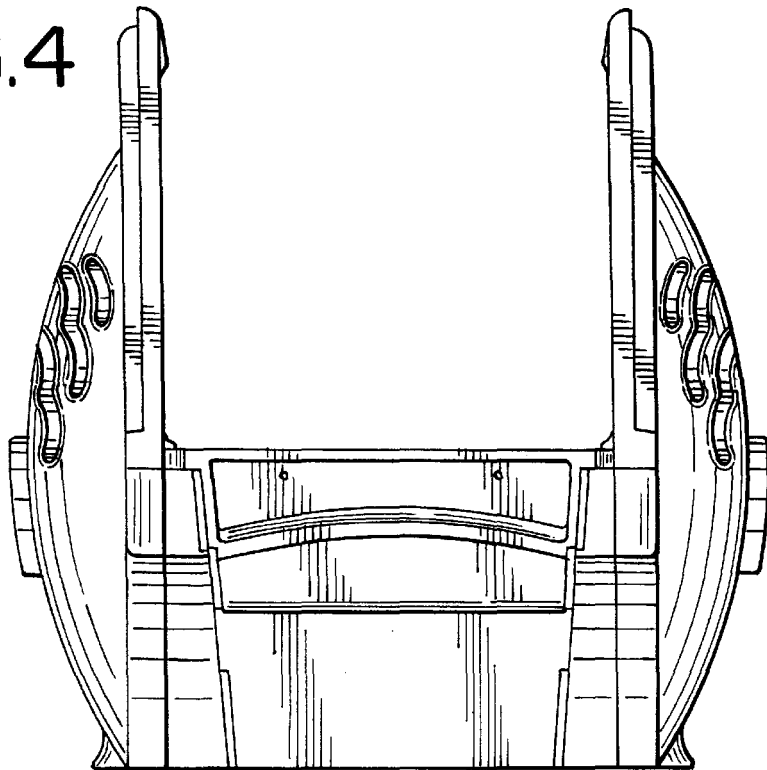


FIG.5

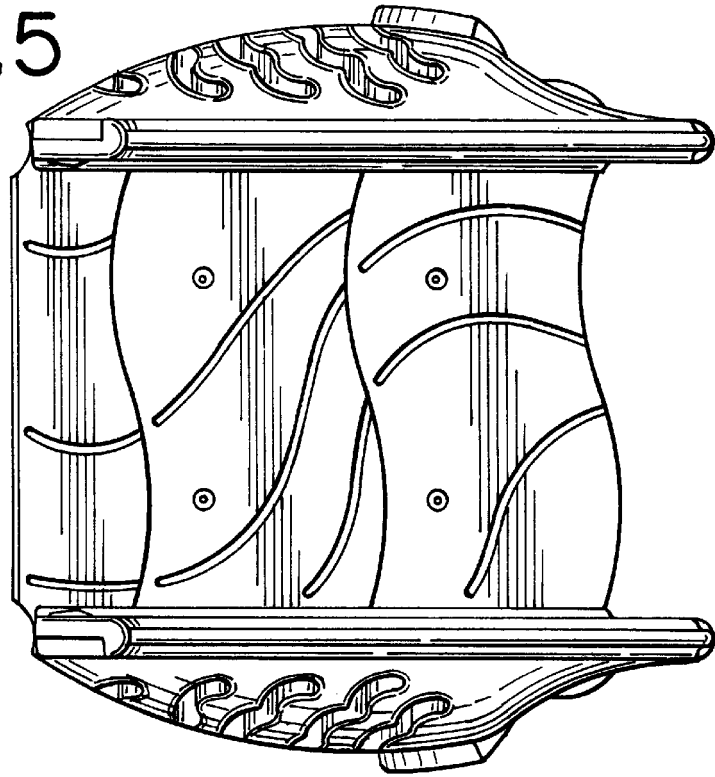


FIG.6

